

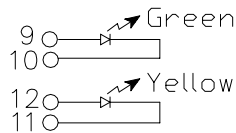


## 10/100 BASE-TX MAGNETICS SINGLE RJ45 CONNECTOR MODULE WITH LEDS FOR PoE APPLICATION P1A121ZCBA

### Feature

- Single port Connector for PoE application
- Suitable for CAT 5 & 6 Fast Ethernet Cable or better UTP
- Meets or exceeds IEEE 802.3 standard for 100Base-T
- 350  $\mu$ H minimum OCL with 8 mA bias current
- Minimum 1500 Vrms isolation per IEEE 802.3 requirement
- All materials are RoHS and UL94-V0 compliant
- RoHS peak solder rating 260°C,
- Meet EN60950-1 basic insulation requirement.
- Recommended panel

Part Number	9,10 (Left Led)	11,12 (Right Led)
2	Green	Yellow



Electrical Specifications @ 25°C							
Part Number	Turns Ratio ( $\pm 5\%$ )		Crosstalk (dB TYP)	Return Loss 100 $\Omega \pm 5\Omega$ (dB TYP)			
	TX	RX		1-65 MHz	1-10 MHz	10-30 MHz	30-60 MHz
P1A121ZCBA	1CT: 1CT	1CT: 1CT	-1	-20	-16	-12	-10

Electrical Specifications @ 25°C						
Part Number	Crosstalk (dB TYP)			Common Mode Rejection (dB TYP)		HI-POT (Vrms)
	1-30 MHz	30-60 MHz	60-100 MHz	1-50 MHz	50-150 MHz	@60MHz/1Min
P1A121ZCBA	-40	-35	-30	-30	-20	1500

RJ45 Durability Testing Rating & Material Specification				
Part Number	Durability	Mating Force	Shield	
			Material	Finish
P1A121ZCBA	750 Insertions	5 lbs./2.268 kgs.	Brass	10-20m inches Nickel over 10-20m inches Brass

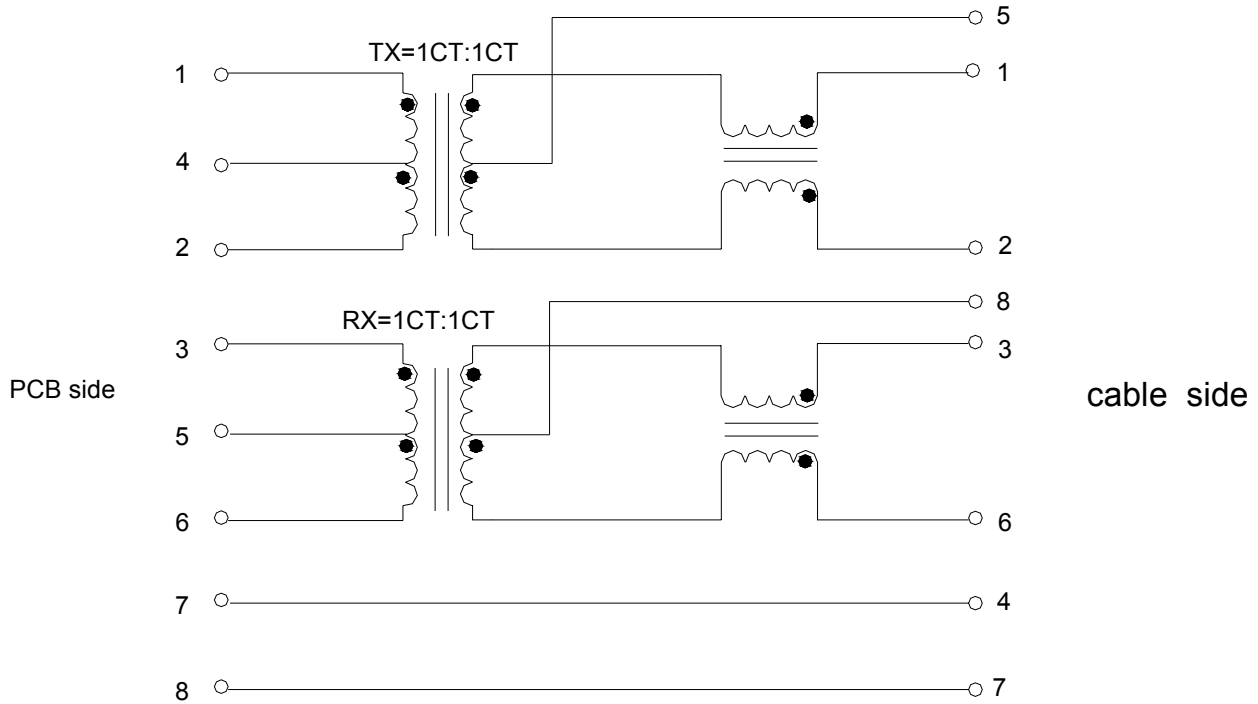
RJ45 Material Specification				
Part Number	Contact		Housing	
	Material	Plating Area	Material	Specification
J1A121ZCBB	Phosphor Brass	10-20m inches Nickel over selective gold plating 6 $\mu$ inches	Thermoplastic	UL 94 V-0 1

\*Operating temperature range: -0°C to +70°C..Storage temperature range: -20°C to +125°C.

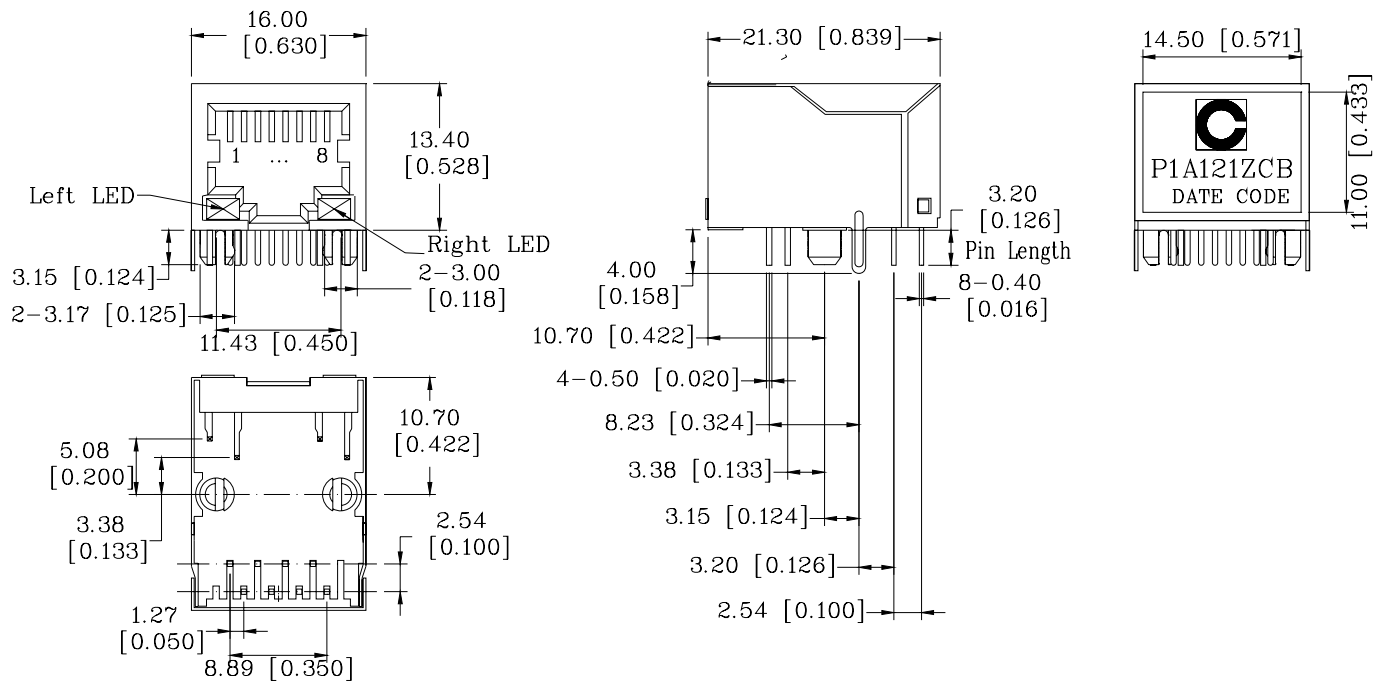


## 10/100 BASE-TX MAGNETICS SINGLE RJ45 CONNECTOR MODULE WITH LEDS FOR PoE APPLICATION P1A121ZCBA

### Schematic



### Mechanical

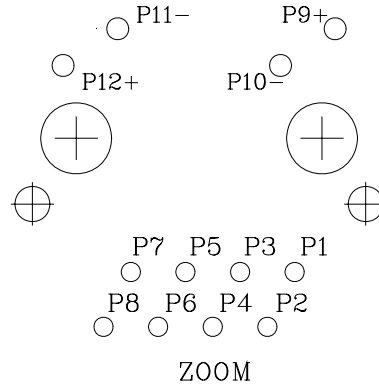
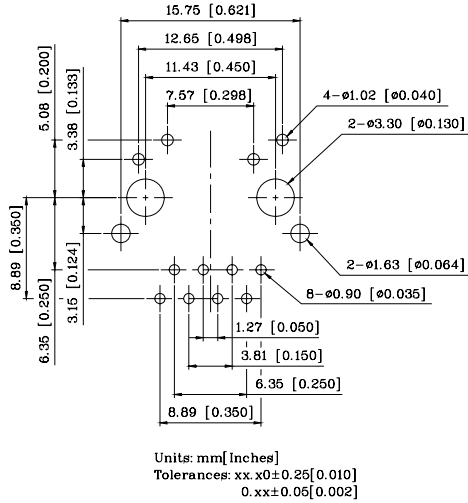


Units: mm[Inches] Tolerances: xx.x0±0.25[0.010]  
0.xx±0.05[0.002]

Tolerance: ±0.25 (0.010) unless specified otherwise



**PCB Layout Mounting Hole (Top View)**



**NOTE:**

**Datasheet Change History:**

V0	2006/JuL.	Datasheet Set Up