



DUAL RJ45 CONNECTOR MODULE WITH 1000 BASE-TX MAGNETICS AND LEDS

P/N:J2A401ZJA

Feature

- Suitable for CAT 5 & 6 Fast Ethernet Cable or better UTP.
- Meets or exceeds IEEE 802.3 standard for 1000 Base-T.
- 350 μ H minimum OCL with 8 mA bias current.
- Minimum 1500 Vrms isolation.
- All materials are RoHS.

Electrical Specifications @ 25°C							
Part Number	Turns Ratio ($\pm 5\%$)		Crosstalk (dB TYP) 1-65 MHz	Return Loss 100 Ω \pm 5 Ω (dB TYP)			
	TX	RX		1-10 MHz	10-30 MHz	30-60 MHz	60-80 MHz
J2A401ZJA	1CT : 1CT	1CT : 1CT	-1	-20	-16	-12	-10

Electrical Specifications @ 25°C						
Part Number	Crosstalk (dB TYP)			Common Mode Rejection (dB TYP)		HI-POT (Vrms)
	1-30 MHz	30-60 MHz	60-100 MHz	1-50 MHz	50-150 MHz	@60MHz/1Min
J2A401ZJA	-40	-35	-30	-30	-20	1500

RJ45 Durability Testing Rating & Material Specification				
Part Number	Durability	Mating Force	Shield	
			Material	Finish
J2A401ZJA	750 Insertions	5 lbs./2.268 kgs.	Brass	10-20m inches Nickel over 10-20m inches Brass

RJ45 Material Specification				
Part Number	Contact		Housing	
	Material	Plating Area	Material	Specification
J2A401ZJA	Phosphor Brass	10-20m inches Nickel over selective gold plating 6 μ inches	Thermoplastic	UL 94 V-0

* Operating temperature range: 0°C to +70°C. Storage temperature range: -25°C to +125°C.

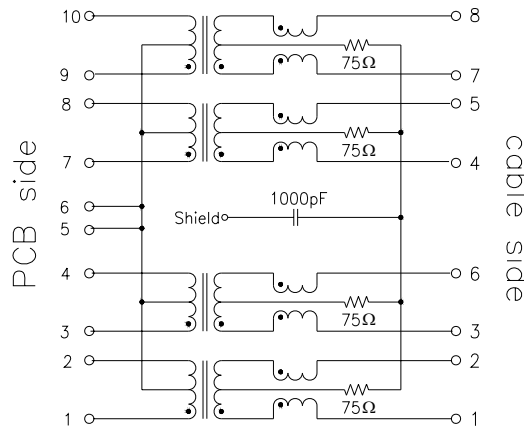
Tel:+86-20-81628973	Fax:+86-20-81628967
E-mail:sales@ceetus.com.cn	Website:www.ceetus.com.cn



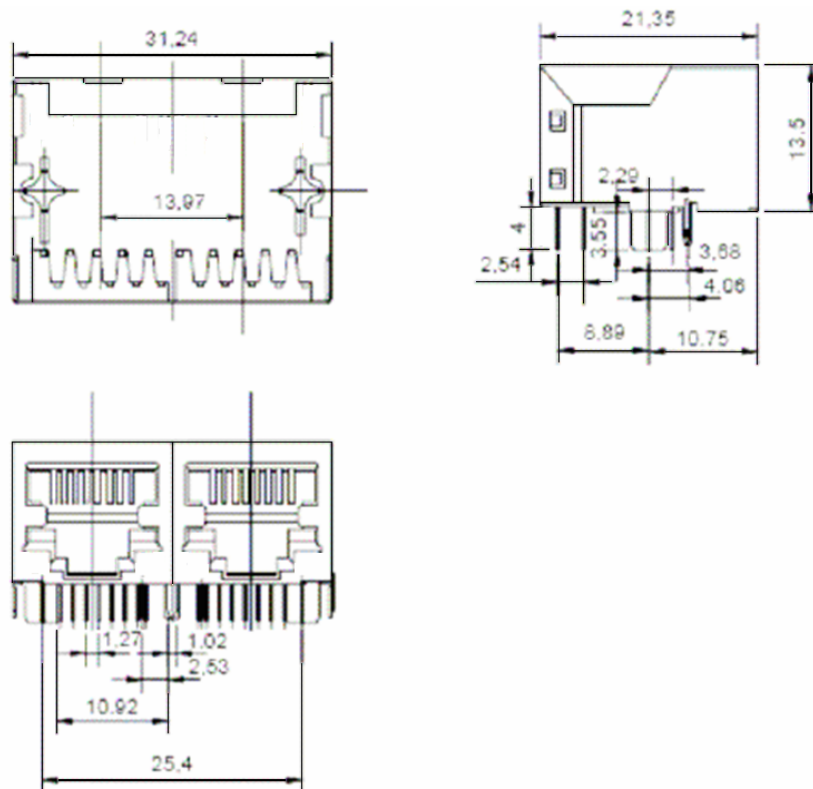
DUAL RJ45 CONNECTOR MODULE WITH 1000 BASE-TX MAGNETICS AND LEDS

P/N:J2A401ZJA

Schematic



Mechanical



Units: mm[Inches].

Tolerance: ± 0.25 (0.010) unless specified otherwise.

Tel:+86-20-81628973

Fax:+86-20-81628967

E-mail:sales@ceetus.com.cn

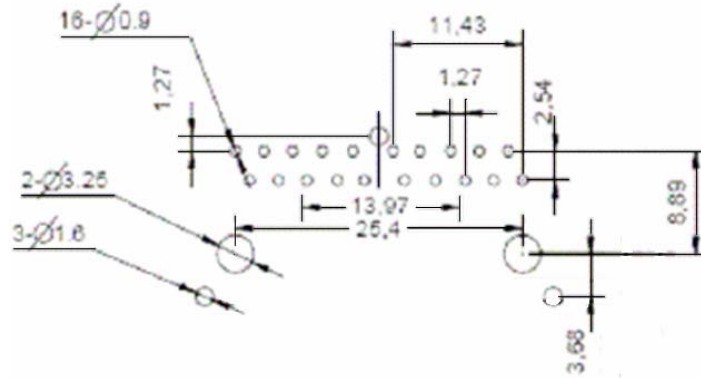
Website:www.ceetus.com.cn



DUAL RJ45 CONNECTOR MODULE WITH 1000 BASE-TX MAGNETICS AND LEDS

P/N:J2A401ZJA

PCB Layout Mounting Hole (Top View)



NOTE:

Datasheet Change History:

V0	2007/Jul.	Datasheet Set Up

Tel:+86-20-81628973

Fax:+86-20-81628967

E-mail:sales@ceetus.com.cn

Website:www.ceetus.com.cn