



SINGLE RJ45 CONNECTOR MODULE WITH 10/100 BASE-TX MAGNETICS AND LEDS

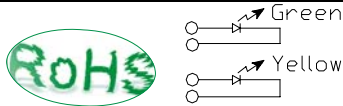
P/N:J1B121ZCL

Feature

- Suitable for CAT 5 & 6 Fast Ethernet Cable or better UTP.
- Meets or exceeds IEEE 802.3 standard for 100Base-T.
- 350 μ H minimum OCL with 8 mA bias current.
- Minimum 1500 Vrms isolation per IEEE 802.3 requirement.
- All materials are RoHS and UL94-V0 compliant.
- RoHS peak solder rating 260°C.
- Meet EN60950-1 basic insulation requirement.
- Recommended panel



Part Numbe	9,10 (Left Led)	11,12 (Right Led)
2	Green	Yellow



Electrical Specifications @ 25°C

Part Number	Turns Ratio ($\pm 5\%$)		Crosstalk (dB TYP)	Return Loss 100 $\Omega \pm 5\Omega$ (dB TYP)			
	TX	RX		1-65 MHz	1-10 MHz	10-30 MHz	30-60 MHz
J1B121ZCL	1CT : 1CT	1CT : 1CT	-1	-20	-16	-12	-10

Electrical Specifications @ 25°C

Part Number	Crosstalk (dB TYP)			Common Mode Rejection (dB TYP)		HI-POT (Vrms)
	1-30 MHz	30-60 MHz	60-100 MHz	1-50 MHz	50-150 MHz	@60MHz/1Min
J1B121ZCL	-40	-35	-30	-30	-20	1500

RJ45 Durability Testing Rating & Material Specification

Part Number	Durability	Mating Force	Shield	
			Material	Finish
J1B121ZCL	750 Insertions	5 lbs./2.268 kgs.	Brass	10-20m inches Nickel over 10-20m inches Brass

RJ45 Material Specification

Part Number	Contact		Housing	
	Material	Plating Area	Material	Specification
J1B121ZCL	Phosphor Brass	10-20m inches Nickel Over Selective gold plating 6 μ inches	Thermoplastic	UL 94 V-0

* Operating temperature range: 0°C to +70°C. Storage temperature range: -25°C to +125°C.

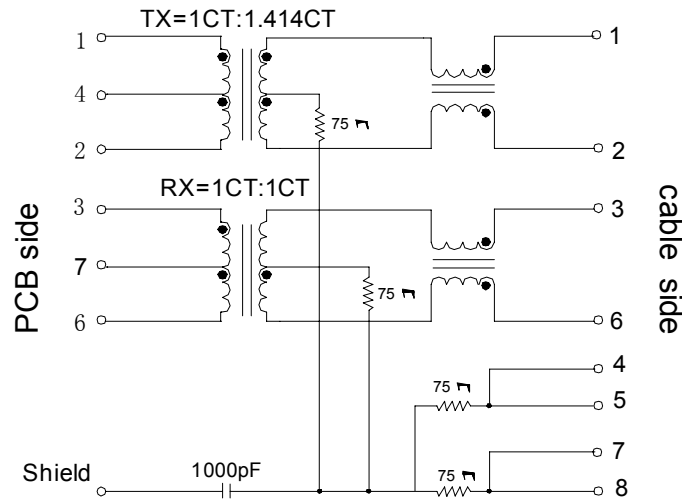
Tel:+86-20-81628973	Fax:+86-20-81628967
E-mail:sales@ceetus.com.cn	Website:www.ceetus.com.cn



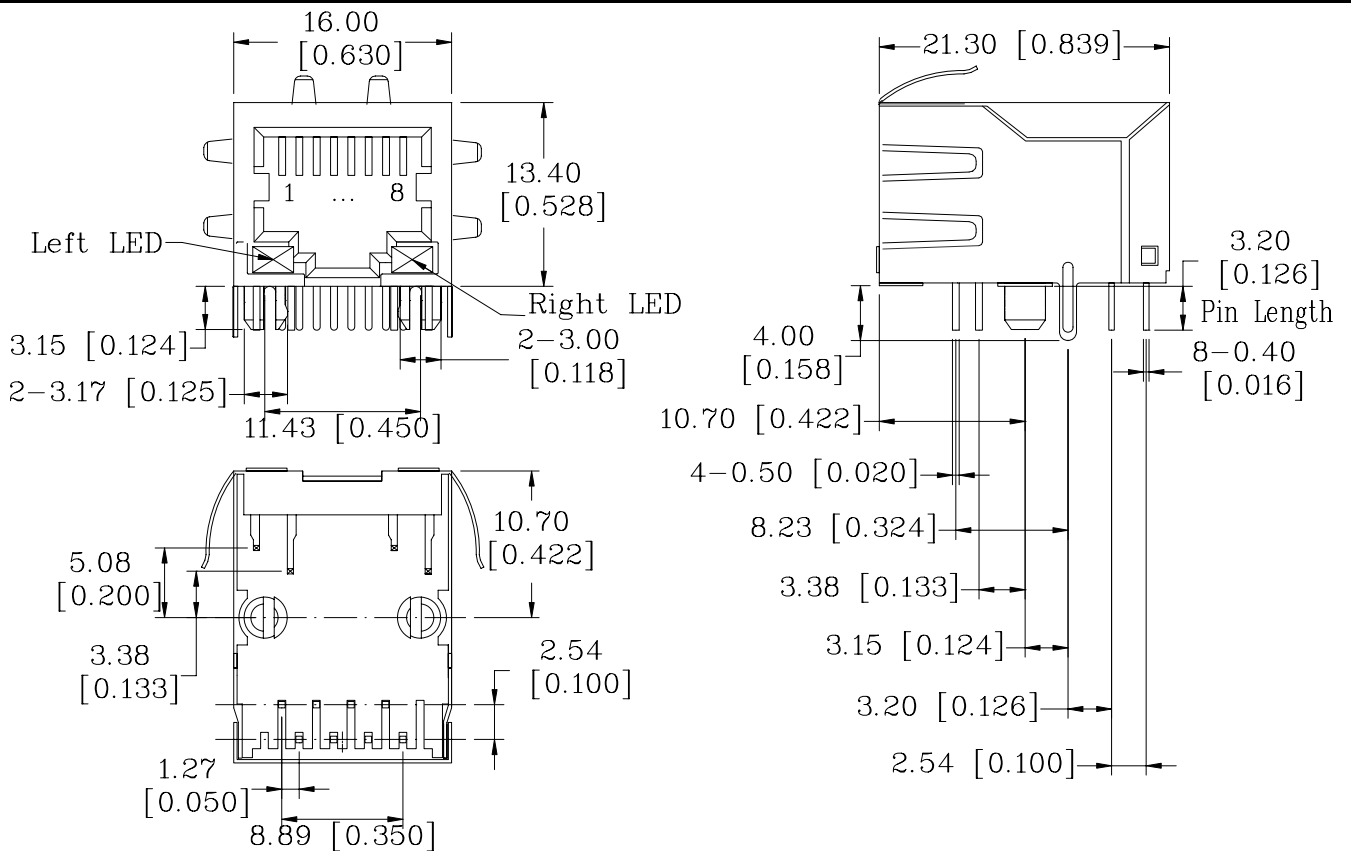
SINGLE RJ45 CONNECTOR MODULE WITH 10/100 BASE-TX MAGNETICS AND LEDS

P/N:J1B121ZCL

Schematic



Mechanical



Tolerance: ±0.25 (0.010) unless specified.

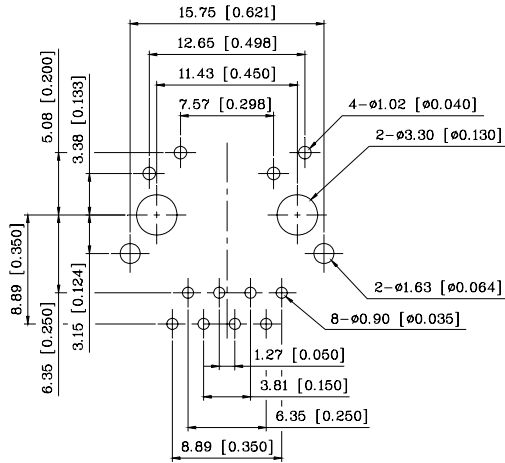
Tel:+86-20-81628973	Fax:+86-20-81628967
E-mail:sales@ceetus.com.cn	Website:www.ceetus.com.cn



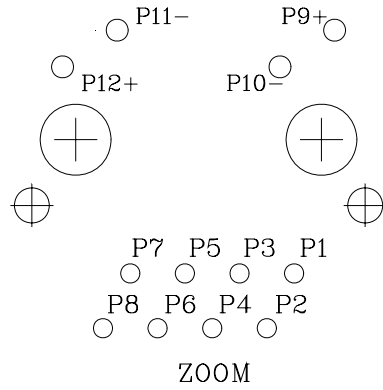
SINGLE RJ45 CONNECTOR MODULE WITH 10/100 BASE-TX MAGNETICS AND LEDS

P/N:J1B121ZCL

PCB Layout Mounting Hole (Top View)



Units: mm[Inches]
 Tolerances: xx.x0±0.25[0.010]
 0.xx±0.05[0.002]



NOTE:

Datasheet Change History:

V0	2007/Apr.	Datasheet Set Up

Tel:+86-20-81628973	Fax:+86-20-81628967
E-mail:sales@ceetus.com.cn	Website:www.ceetus.com.cn