

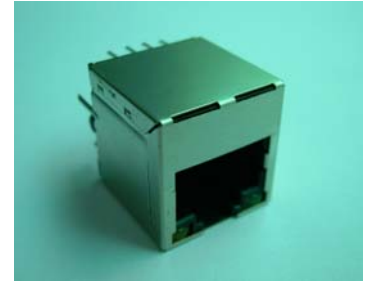


SINGLE RJ45 CONNECTOR MODULE WITH 10/100 BASE-TX MAGNETICS AND LEDS

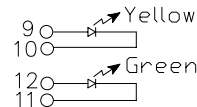
P/N:J1AT11ZCC

Feature

- Suitable for CAT 5 & 6 Fast Ethernet Cable or better UTP.
- Meets or exceeds IEEE 802.3 standard for 100 Base-T.
- RoHS compliant.
- Recommended panel



Part Numbe	9,10 (Left Led)	11,12 (Right Led)
1	Yellow	Green



Electrical Specifications @ 25°C							
Part Number	Turns Ratio (±5%)		Crosstalk (dB TYP)	Return Loss 100Ω±5Ω (dB TYP)			
	TX	RX		1-65 MHz	1-10 MHz	10-30 MHz	30-60 MHz
J1AT11ZCC	1CT : 1CT	1CT : 1CT	-1	-20	-16	-12	-10

Electrical Specifications @ 25°C						
Part Number	Crosstalk (dB TYP)			Common Mode Rejection (dB TYP)		HI-POT (Vrms) @60MHz/1Min
	1-30 MHz	30-60 MHz	60-100 MHz	1-50 MHz	50-150 MHz	
J1AT11ZCC	-40	-35	-30	-30	-20	1500

RJ45 Durability Testing Rating & Material Specification				
Part Number	Durability	Mating Force	Shield	
			Material	Finish
J1AT11ZCC	750 Insertions	5 lbs./2.268 kgs.	Brass	10-20m inches Nickel over 10-20m inches Brass

RJ45 Material Specification				
Part Number	Contact		Housing	
	Material	Plating Area	Material	Specification
J1AT11ZCC	Phosphor Brass	10-20m inches Nickel over selective gold plating 6 μ inches	Thermoplastic	UL 94 V-0

* Operating temperature range: 0°C to +70°C. Storage temperature range: -25°C to +125°C.

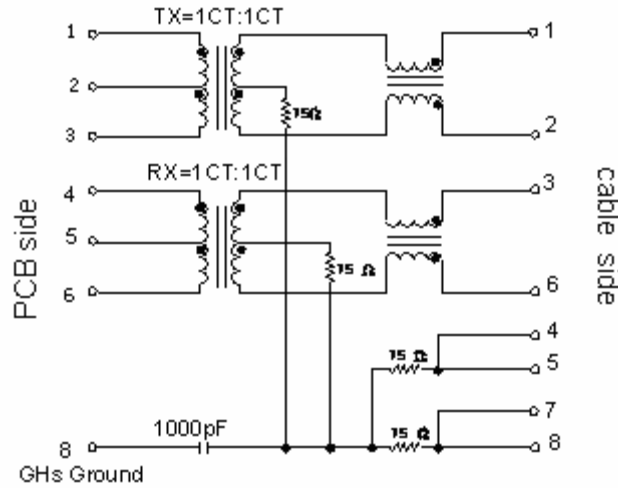
Tel:+86-20-81628973	Fax:+86-20-81628967
E-mail:sales@ceetus.com.cn	Website:www.ceetus.com.cn



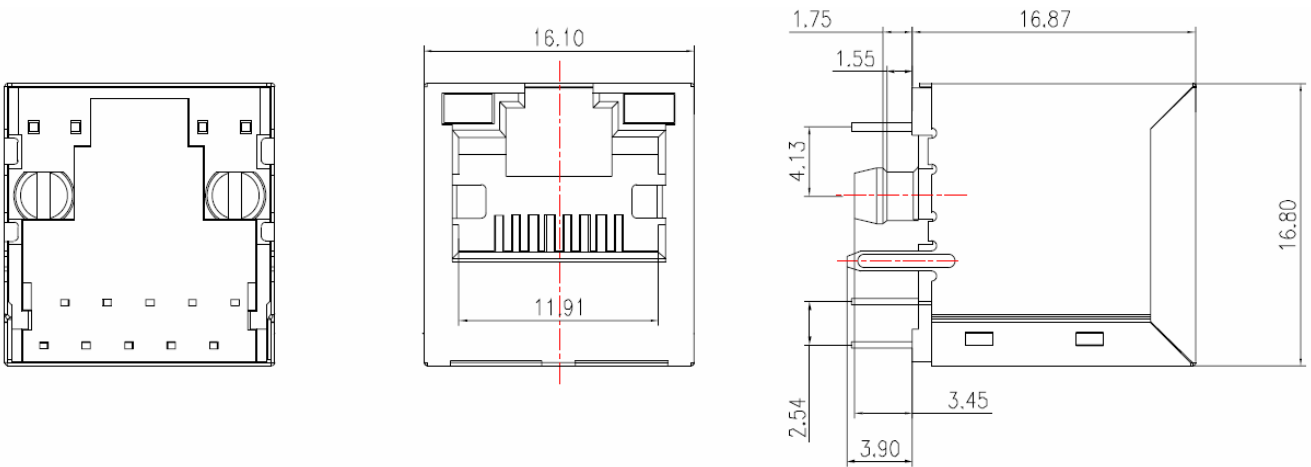
SINGLE RJ45 CONNECTOR MODULE WITH 10/100 BASE-TX MAGNETICS AND LEDS

P/N:J1AT11ZCC

Schematic



Mechanical



Units: mm.

Tolerance: ±0.25 unless specified otherwise.

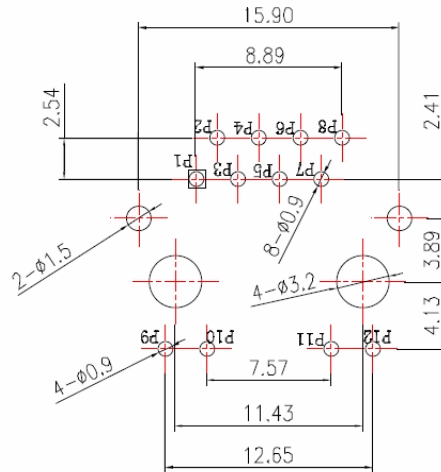
Tel:+86-20-81628973	Fax:+86-20-81628967
E-mail:sales@ceetus.com.cn	Website:www.ceetus.com.cn



SINGLE RJ45 CONNECTOR MODULE WITH 10/100 BASE-TX MAGNETICS AND LEDS

P/N:J1AT11ZCC

PCB Layout Mounting Hole (Top View)



NOTE:

Datasheet Change History:

V0	2007/Jul.	Datasheet Set Up

Tel:+86-20-81628973

Fax:+86-20-81628967

E-mail:sales@ceetus.com.cn

Website:www.ceetus.com.cn