

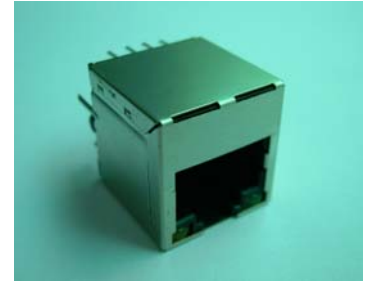


## SINGLE RJ45 CONNECTOR MODULE WITH 10/100 BASE-TX MAGNETICS

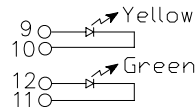
P/N:J1AT11000

### Feature

- Suitable for CAT 5 & 6 Fast Ethernet Cable or better UTP.
- Meets or exceeds IEEE 802.3 standard for 100 Base-T.
- RoHS compliant.
- Recommended panel



Part Numbe	9,10 (Left Led)	11,12 (Right Led)
1	Yellow	Green

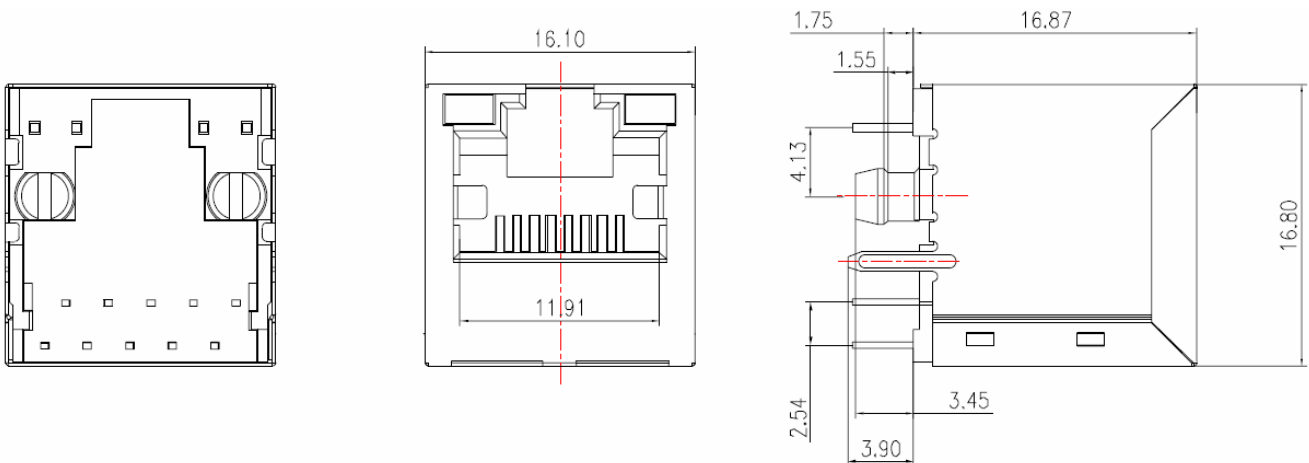


RJ45 Durability Testing Rating & Material Specification				
Part Number	Durability	Mating Force	Shield	
			Material	Finish
J1AT11000	750 Insertions	5 lbs./2.268 kgs.	Brass	10-20m inches Nickel over 10-20m inches Brass

RJ45 Material Specification				
Part Number	Contact		Housing	
	Material	Plating Area	Material	Specification
J1AT11000	Phosphor Brass	10-20m inches Nickel over selective gold plating 6 μ inches	Thermoplastic	UL 94 V-0

\* Operating temperature range: 0°C to +70°C. Storage temperature range: -25°C to +125°C.

### Mechanical



Units: mm.

Tolerance: ±0.25 unless specified otherwise.

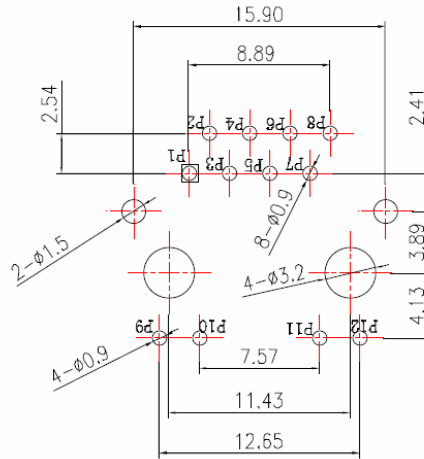
<b>Tel:+86-20-81628973</b>	<b>Fax:+86-20-81628967</b>
<b>E-mail:sales@ceetus.com.cn</b>	<b>Website:www.ceetus.com.cn</b>



## SINGLE RJ45 CONNECTOR MODULE WITH 10/100 BASE-TX MAGNETICS

P/N:J1AT11000

### PCB Layout Mounting Hole (Top View)



#### NOTE:

Datasheet Change History:

V0	2007/Jul.	Datasheet Set Up

Tel:+86-20-81628973

Fax:+86-20-81628967

E-mail:sales@ceetus.com.cn

Website:www.ceetus.com.cn