



SINGLE RJ45 CONNECTOR

P/N:J1AT01000

Feature

- Suitable for CAT 5 & 6 Fast Ethernet Cable or better UTP.
- Meets or exceeds IEEE 802.3 standard for 100 Base-T.
- RoHS compliant.

RJ45 Durability Testing Rating & Material Specification

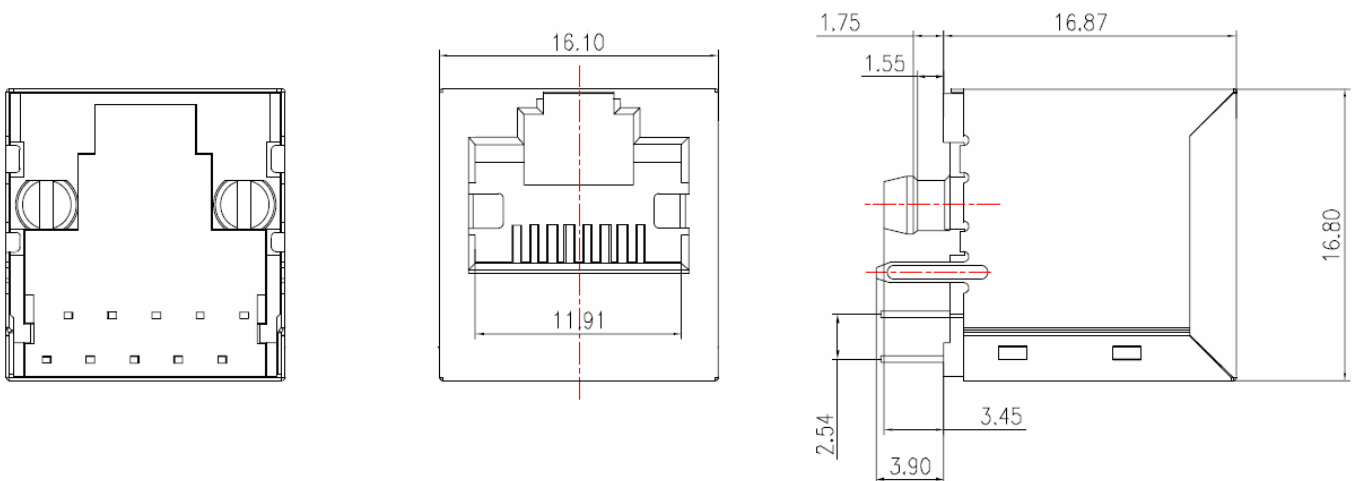
Part Number	Durability	Mating Force	Shield	
			Material	Finish
J1AT01000	750 Insertions	5 lbs./2.268 kgs.	Brass	10-20m inches Nickel over 10-20m inches Brass

RJ45 Material Specification

Part Number	Contact		Housing	
	Material	Plating Area	Material	Specification
J1AT01000	Phosphor Brass	10-20m inches Nickel over selective gold plating 6μ inches	Thermoplastic	UL 94 V-0

* Operating temperature range: 0°C to +70°C. Storage temperature range: -25°C to +125°C.

Mechanical



Units: mm.

Tolerance: ±0.25 unless specified otherwise.

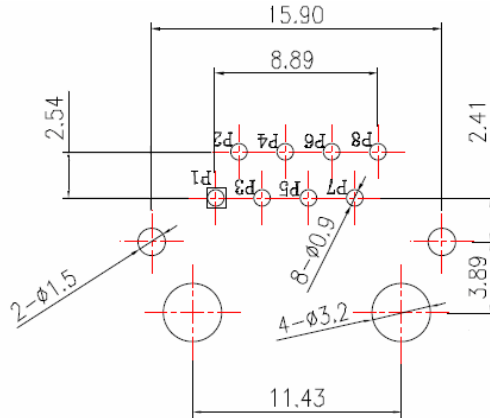
Tel:+86-20-81628973	Fax:+86-20-81628967
E-mail:sales@ceetus.com.cn	Website:www.ceetus.com.cn



SINGLE RJ45 CONNECTOR

P/N:J1AT01000

PCB Layout Mounting Hole (Top View)



NOTE:

Datasheet Change History:

V0	2007/Jul.	Datasheet Set Up

Tel:+86-20-81628973

Fax:+86-20-81628967

E-mail:sales@ceetus.com.cn

Website:www.ceetus.com.cn