



## SINGLE RJ45 CONNECTOR MODULE WITH INTEGRATED 10 BASE-T MAGNETICS & FILTER

P/N:J1A100-11

### Feature

- RJ-45 connector integrated with filter.
- Reduced EMI radiation to improve EMI performance.
- Size same as RJ-45 connector to save PCB Board space.
- RoHS compliant.



Electrical Specifications @ 25°C					
Part Number	Turns Ratio (±5%)		CUT OFF Frequency (TX/RX)	Cross talk Attenuation TX/RX(dB Min)	HI-POT (Vrms)
	TX	RX		1-10MHz	
J1A100-11	1CT : 1CT	1CT : 1CT	17MHz±1MHz	-30/-30	1200

Electrical Specifications @ 25°C							
Part Number	Insertion Loss TX/RX(dB Max)	Return Loss TX/RX(dB Max)	Attenuation TX/RX(dB Min)				CMR TX/RX(dB Min)
	1-10MHz	5-10MHz	20MHz	25MHz	30MHz	40MHz	30-100MHz
J1A100-11	-1.0	-13.5	-5/-4.2	-18/-11	-28/-16	-33/-26	-30/-30

\* Operating temperature range: 0°C to +70°C. Storage temperature range: -25°C to +125°C.

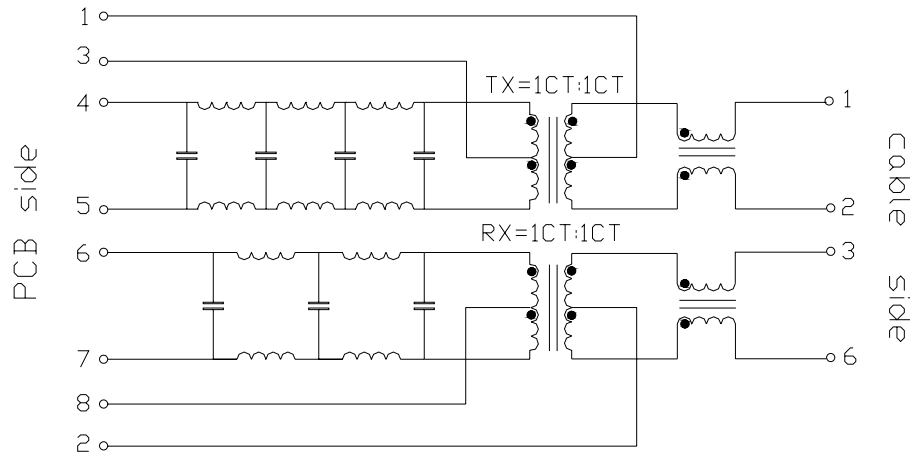
Tel:+86-20-81628973	Fax:+86-20-81628967
E-mail:sales@ceetus.com.cn	Website:www.ceetus.com.cn



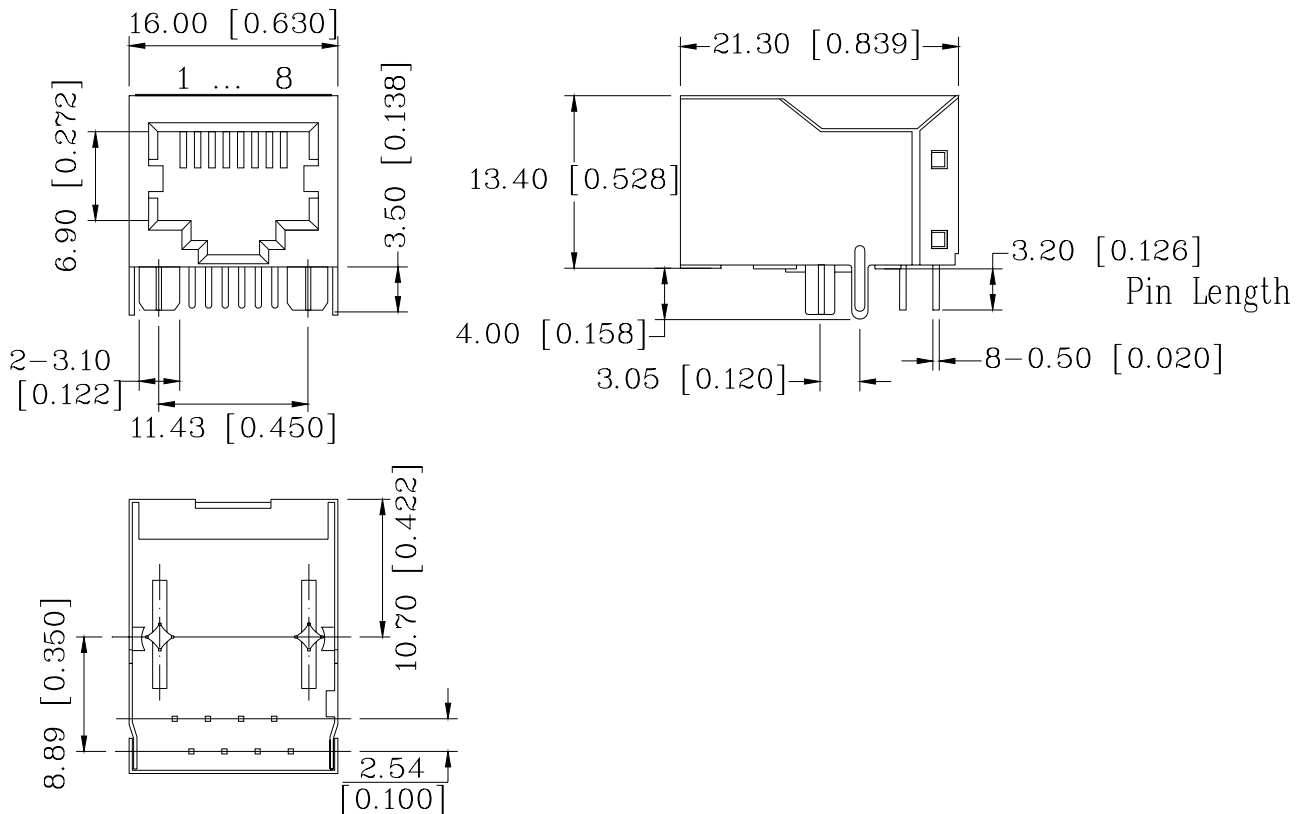
## SINGLE RJ45 CONNECTOR MODULE WITH INTEGRATED 10 BASE-T MAGNETICS & FILTER

P/N:J1A100-11

### Schematic



### Mechanical



Tolerance:  $\pm 0.25$  (0.010) unless specified otherwise.

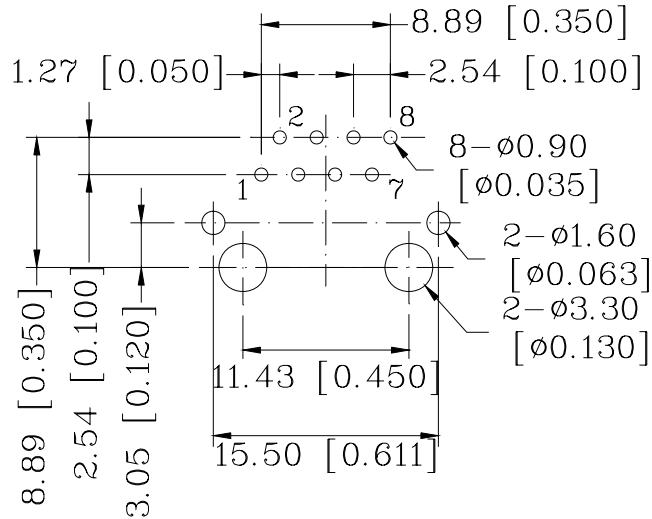
Tel:+86-20-81628973	Fax:+86-20-81628967
E-mail:sales@ceetus.com.cn	Website:www.ceetus.com.cn



## SINGLE RJ45 CONNECTOR MODULE WITH INTEGRATED 10 BASE- T MAGNETICS & FILTER

P/N:J1A100-11

### PCB Layout Mounting Hole (Top View)



#### NOTE:

Datasheet Change History:

V0	2007/Apr.	Datasheet Set Up

Tel:+86-20-81628973	Fax:+86-20-81628967
E-mail:sales@ceetus.com.cn	Website:www.ceetus.com.cn