



## SINGLE RJ45 CONNECTOR

**P/N:J10W00000**

### Feature

- Complies with requirement of IEEE802.3u standards.
- RJ 45 connector with 10/100 BASE-TX magnetic.
- HI-POT: 1500V.
- Insulation Resistance: 1000 Megohms min.
- Withstand Voltage:1000V, AC/ minute.
- Durability: 600 mating circles min.
- specified: 0~10:±0.1;10~20:±0.15; 20~30:±0.2.
- Selective Gold-plating: (3;6;15;30;50 ) micro inch.
- RoHS compliant.

### RJ45 Durability Testing Rating & Material Specification

| Part Number | Durability     | Mating Force      | Shield   |  |
|-------------|----------------|-------------------|----------|--|
|             |                |                   | Material | Finish   |
| J10W00000   | 750 Insertions | 5 lbs./2.268 kgs. | Brass    | 10-20m inches Nickel over<br>10-20m inches Brass |

### RJ45 Material Specification

| Part Number | Contact        |   | Housing       |               |
|-------------|----------------|---|---------------|---------------|
|             | Material       | Plating Area  | Material      | Specification |
| J10W00000   | Phosphor Brass | 10-20m inches Nickel over<br>selective gold plating Fμ inches | Thermoplastic | UL 94 V-0     |

\* Operating temperature range: 0°C to +70°C. Storage temperature range: -25°C to +125°C.

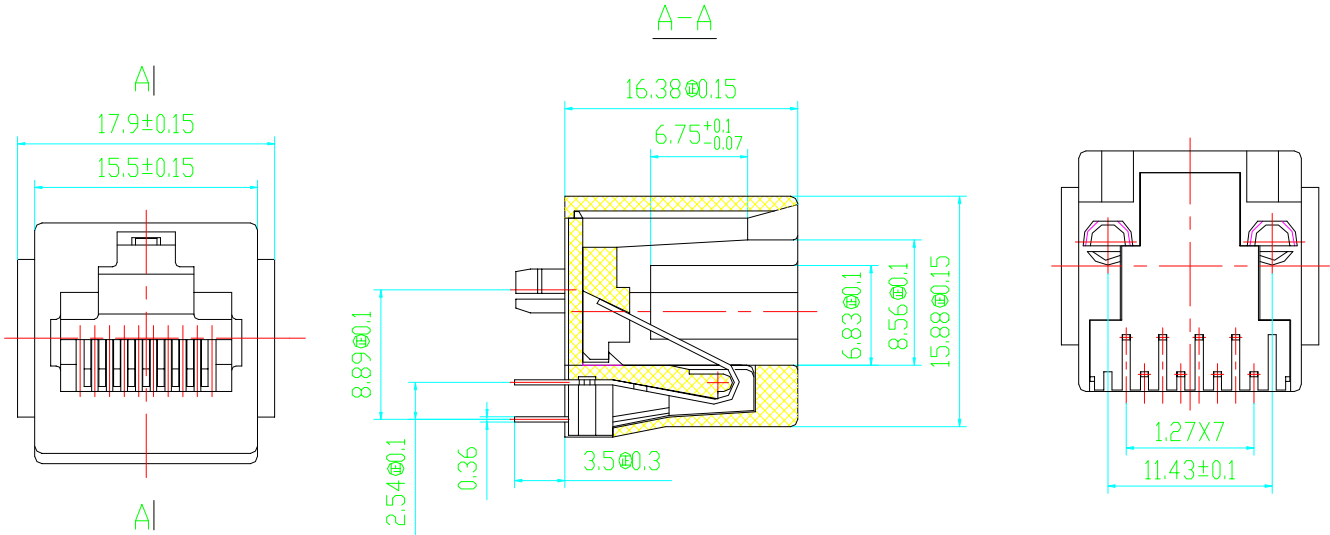
|                                   |                                  |
|-----------------------------------|----------------------------------|
| <b>Tel:+86-20-81628973</b>        | <b>Fax:+86-20-81628967</b>       |
| <b>E-mail:sales@ceetus.com.cn</b> | <b>Website:www.ceetus.com.cn</b> |



## SINGLE RJ45 CONNECTOR

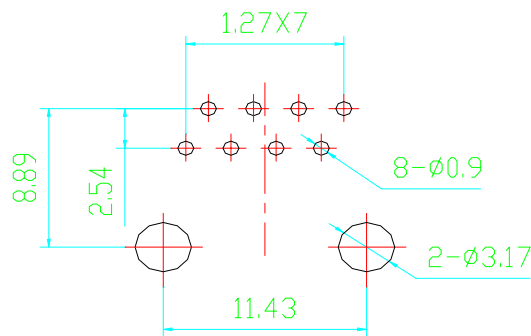
P/N:J10W00000

### Mechanical



Tolerance:  $\pm 0.25$  (0.010) unless specified otherwise.

### PCB Layout Mounting Hole(Top View)



### NOTE:

Datasheet Change History:

| V0 | 2007/Mar. | Datasheet Set Up |
|----|-----------|------------------|
|    |           |                  |
|    |           |                  |
|    |           |                  |
|    |           |                  |

Tel:+86-20-81628973

Fax:+86-20-81628967

E-mail:sales@ceetus.com.cn

Website:www.ceetus.com.cn