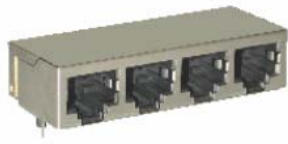




# 10/100 BASE-TX MAGNETICS 1\*4 RJ45 CONNECTOR MODULE WITH INTEGRATED



- Complies with requirement of IEEE802.3u standards.
- RJ 45 connector with 10/100 BASE-TX magnetic.
- HI-POT: 1500V
- Operating temperature range: 0°C to +70°C
- Storage temperature range: -20°C to +125°C
- RoHS compliant

## Electrical Specifications @ 25°C

Part Number	Turns Ratio (±5%) TX/RX	Insertion Loss (dB Max)	Return Loss (dB Min @ Load 100 Ω)					Cross talk (dB Min)			DCMR (dB Min)		
			1-100MHz	1-30MHz	40MHz	50MHz	60-80MHz	100MHz	30MHz	60MHz	100MHz	30MHz	60MHz
J4A102ZCA	1CT:1CT	-1.15	-16	-14	-13.5	-13	-10	-40	-35	-30	-30	-25	-20
J4A102ZCB	1CT:1CT	-1.15	-16	-14	-13.5	-13	-10	-40	-35	-30	-30	-25	-20
J4A102ZCC	1CT:1CT	-1.15	-16	-14	-13.5	-13	-10	-40	-35	-30	-30	-25	-20
J4A102ZCD	1CT:1CT	-1.15	-16	-14	-13.5	-13	-10	-40	-35	-30	-30	-25	-20

## RJ45 RJ45 Durability Testing Rating & Material Specification Durability Testing

Durability	Mating Force	Contact		Housing		Shield	
		Material	Plating Area	Material	Specification	Material	Finish
750 Insertions	5 lbs./2.268 kgs.	Phosphor Brass	10-20m inches Nickel over selective gold plating 6 μ inches	Thermoplastic	UL 94 V-0 1	Brass	10-20m inches Nickel over 10-20m inches Brass

### NOTE:

1. Explanation of 3<sup>th</sup> letters of P/N (Part Number) : Package Type

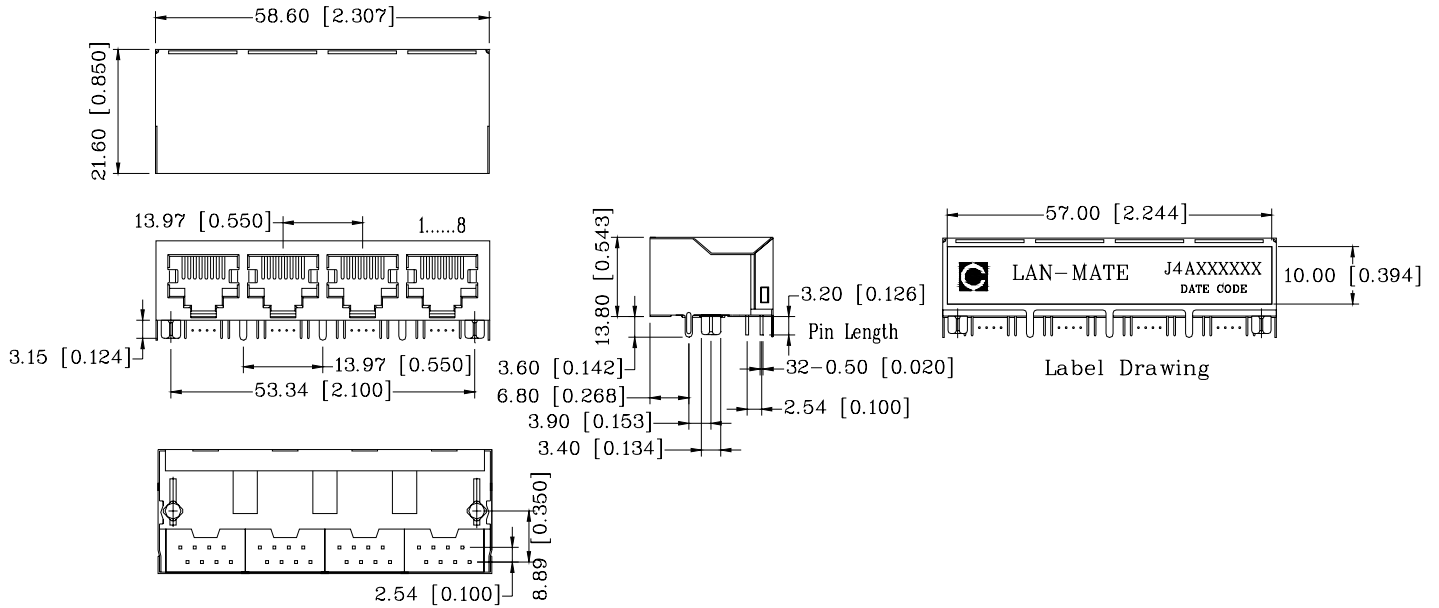
Part NO	Shield type	Q'ty per Tube	Q'ty/ Inner box Tube	Q'ty/ Carton Tube
A	standard shield	8	128	512
B	with spring tab on top and side	8	128	512
C	spring tab on top	8	128	512



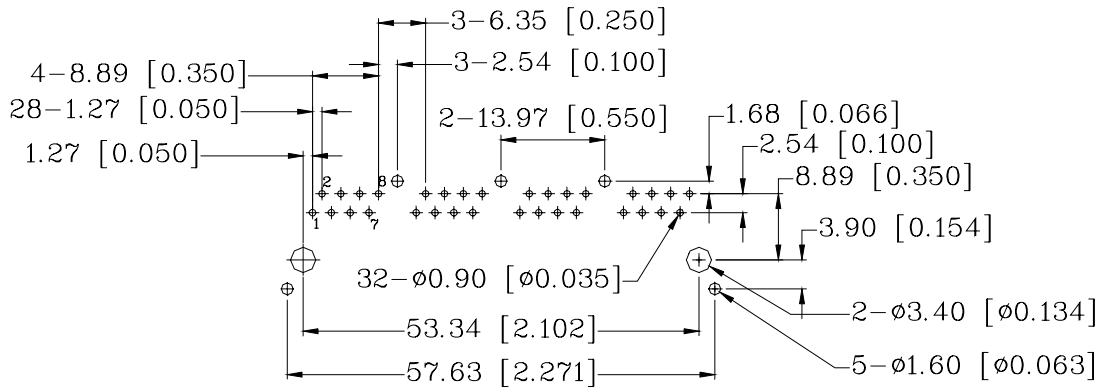


Mechanicals

A

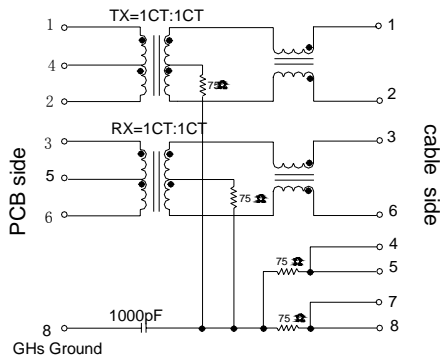


PCB Layout Mounting Hole(Top View)

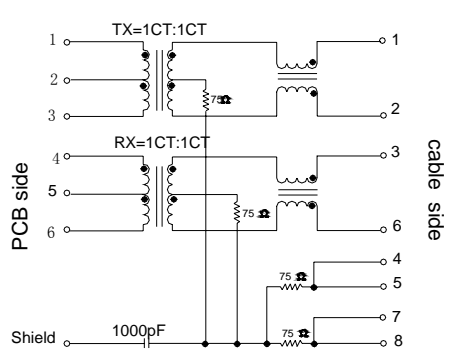


Schematics

CA



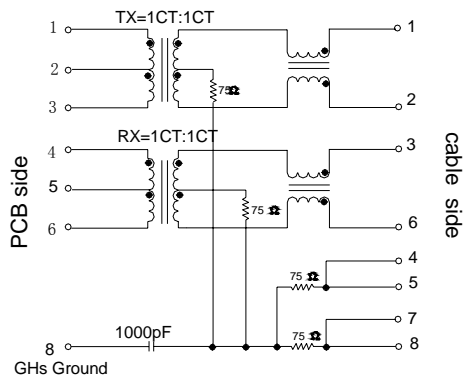
CB





# 10/100 BASE-TX MAGNETICS 1\*4 RJ45 CONNECTOR MODULE WITH INTEGRATED

CC



CD

