



# 10/100 BASE-TX MAGNETICS 1\*1 RJ45 CONNECTOR MODULE WITH INTEGRATED



- Complies with requirement of IEEE802.3u standards.
- RJ 45 connector with 10/100 BASE-TX magnetic.
- HI-POT: 1500V
- Operating temperature range: 0°C to +70°C
- Storage temperature range: -20°C to +125°C
- RoHS compliant

## Electrical Specifications @ 25°C

Part Number	Turns Ratio (±5%) TX/RX	Insertion Loss (dB Max)	Return Loss (dB Min @ Load 100 Ω)					Cross talk (dB Min)			DCMR (dB Min)		
			1-100MHz	1-30MHz	40MHz	50MHz	60-80MHz	100MHz	30MHz	60MHz	100MHz	30MHz	60MHz
J1A101ZCA	1CT:1CT	-1.15	-16	-14	-13.5	-13	-10	-40	-35	-30	-30	-25	-20
J1A101ZCB	1CT:1CT	-1.15	-16	-14	-13.5	-13	-10	-40	-35	-30	-30	-25	-20
J1A101ZCC	1CT:1CT	-1.15	-16	-14	-13.5	-13	-10	-40	-35	-30	-30	-25	-20
J1A101ZCD	1CT:1CT	-1.15	-16	-14	-13.5	-13	-10	-40	-35	-30	-30	-25	-20
J1A101ZCE	1CT:1CT	-0.8	-16	-14	-13.5	-13	-10	-40	-35	-30	-30	-25	-20
J1A101ZCF	1CT:1CT	-0.8	-16	-14	-13.5	-13	-10	-40	-35	-30	-30	-25	-20

## RJ45 RJ45 Durability Testing Rating & Material Specification Durability Testing

Durability	Mating Force	Contact		Housing		Shield	
		Material	Plating Area	Material	Specification	Material	Finish
750 Insertions	5 lbs./2.268 kgs.	Phosphor Brass	10-20m inches Nickel over selective gold plating 6 μ inches	Thermoplastic	UL 94 V-0 1	Brass	10-20m inches Nickel over 10-20m inches Brass

### NOTE:

1. Explanation of 3<sup>th</sup> letters of P/N (Part Number) : Package Type

Part NO	Shield type	Q'ty per Tube	Q'ty/ Inner box Tube	Q'ty/ Carton Tube
A	standard shield	30	480	1920
B	with spring tab on top and side	27	432	1728
C	spring tab on top	30	480	1920
D	spring tab on side	27	432	1728

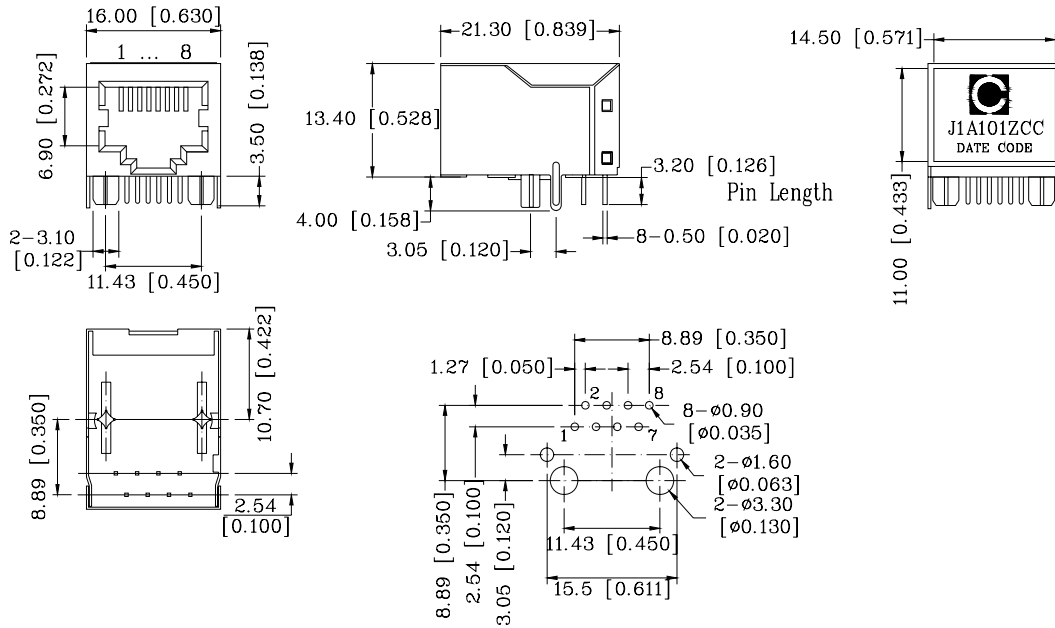




# 10/100 BASE-TX MAGNETICS 1\*1 RJ45 CONNECTOR MODULE WITH INTEGRATED

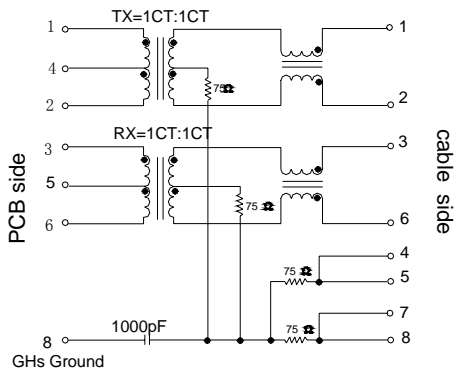
## Mechanicals

A

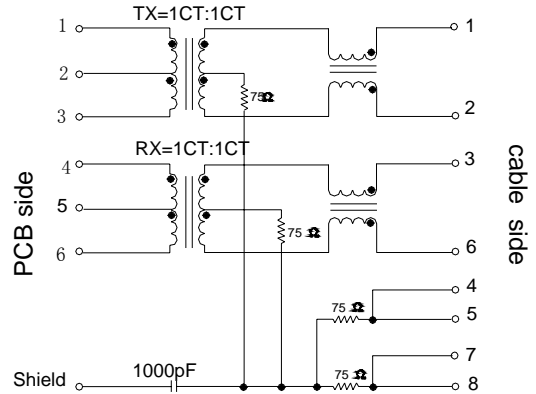


## Schematics

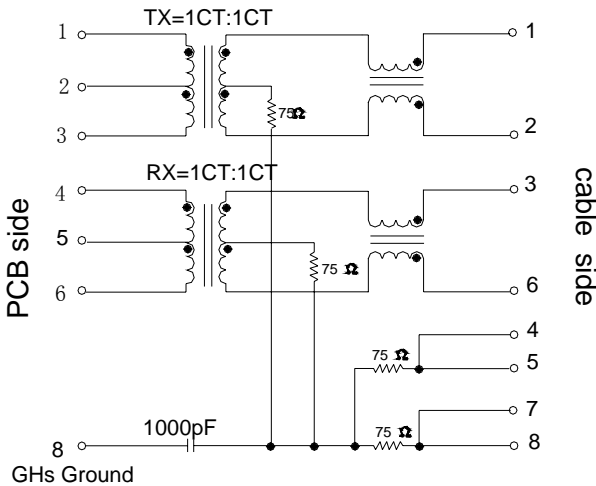
CA



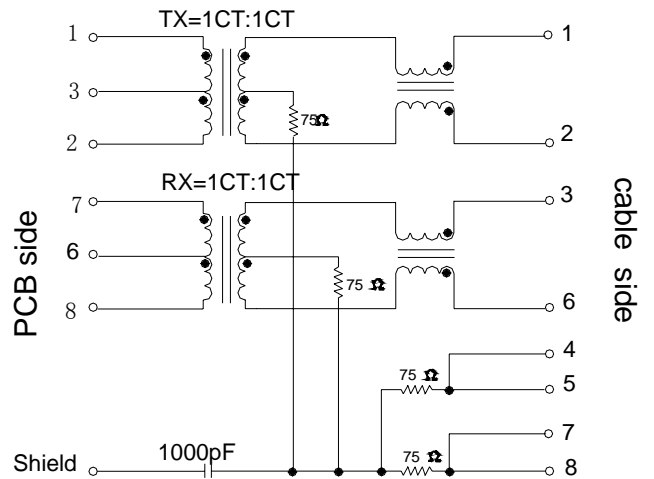
CB



CC



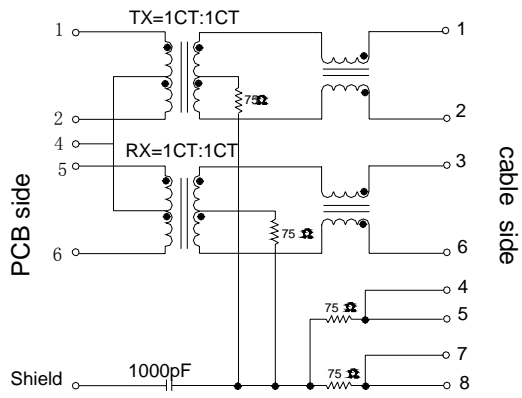
CD





# 10/100 BASE-TX MAGNETICS 1\*1 RJ45 CONNECTOR MODULE WITH INTEGRATED

CE



CF

